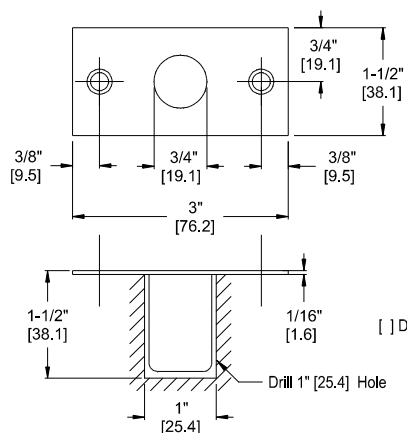


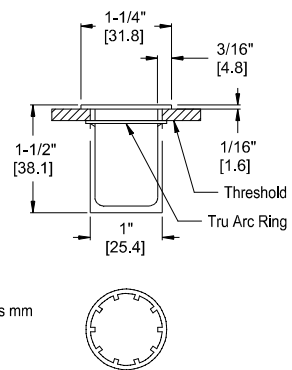
No. 80 & 81 Dust Proof Strike Template

No. 80 DPS



- 1 - Drill 1" hole 1-1/2" [38.1] deep into floor.
- 2 - Align strike with bolt head of flush bolt and mark location of screws.
- 3 - Drill holes for rawl plugs and secure strike with 2 ea. #8 x 1" [25.4] APS.

No. 81 DPS



- 1 - Drill 15/16" [23.8] hole in threshold and 1" hole in floor.
- 2 - Install DPS in threshold and secure by sliding tru arc ring up over the body of the strike until it secures the DPS in threshold.
- 3 - Install threshold.