



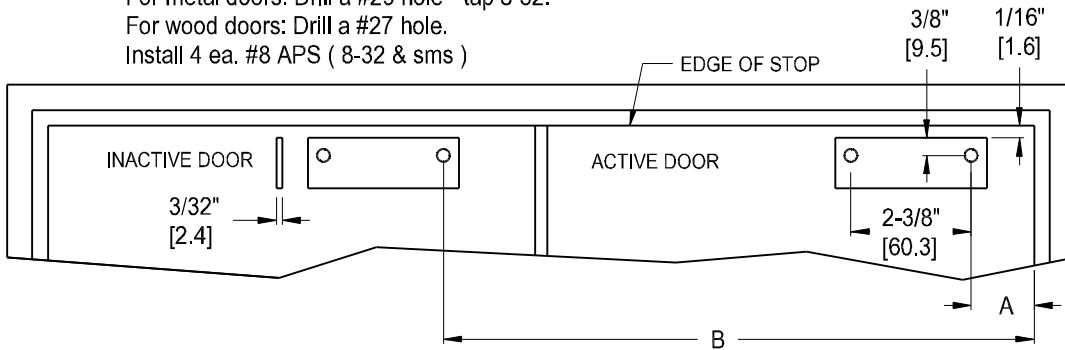
# INSTALLATION INSTRUCTIONS FOR SOFFIT MOUNTED COORDINATORS

THIS TEMPLATE APPLIES TO  
600 Series Coordinators, AB, C & 600D Brackets

**\*Important: Install Coordinator prior to any other hardware.**

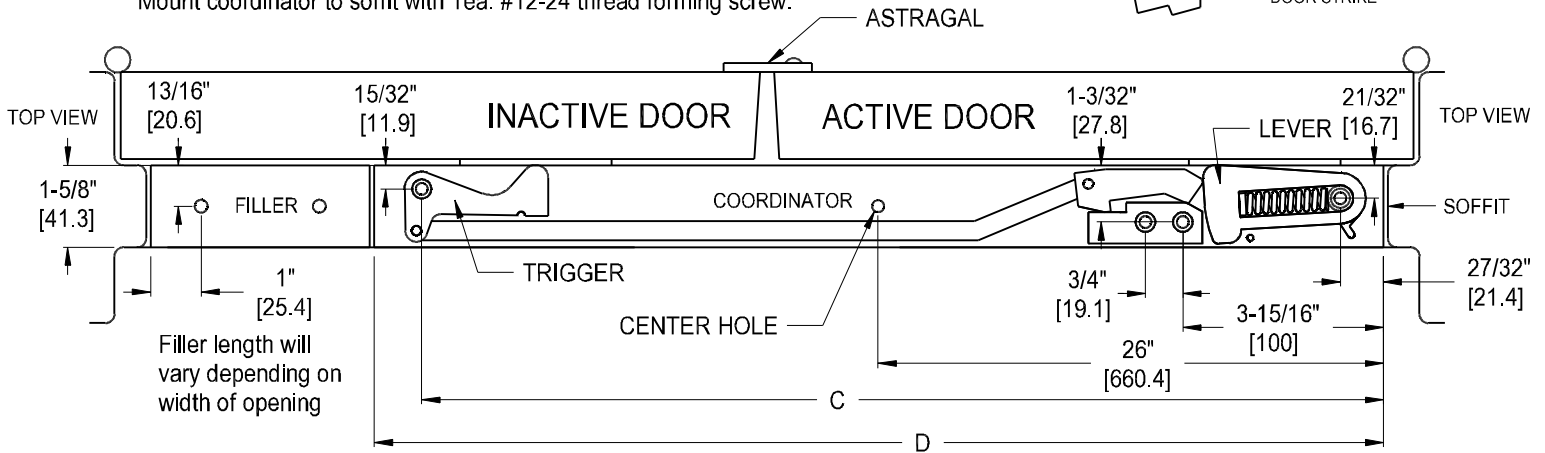
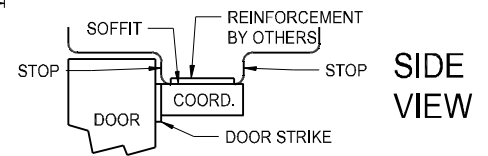
**STEP 1 :** Close doors against stops and locate active and inactive door strikes as shown below.  
For metal doors: Drill a #29 hole - tap 8-32.  
For wood doors: Drill a #27 hole.  
Install 4 ea. #8 APS ( 8-32 & sms )

REVERSIBLE - RH(LHRB) SHOWN



COORDINATOR MECHANISM	A	B
32" (N-632) [812.8]	1-1/4" [31.8]	27-1/2" [698.5]
42" (NX-642) [1066.8]	1-1/4" [31.8]	37-1/2" [952.5]
52" (652) [1320.8]	1-1/4" [31.8]	47-1/2" [1206.5]
60" (L-660) [1524]	1-1/4" [31.8]	55-1/2" [1409.7]
66" (XL-600) [1676.4]	1-1/4" [31.8]	61-1/2" [1562.1]
72" (XXL-600) [1828.8]	1-1/4" [31.8]	67-1/2" [1714.5]

**STEP 2 :** Depress trigger and then depress the lever and hold.  
Locate coordinator against soffit and strike plates as shown below.  
Mark center hole location and drill a #10 hole.  
Mount coordinator to soffit with 1ea. #12-24 thread forming screw.



**STEP 3 :** Close doors to ensure coordinator is resting against both door strike plates.  
Mark the 4 remaining mounting hole locations.  
Drill #10 pilot holes.  
Install 4 ea. #12-24 thread forming screws.

COORDINATOR MECHANISM	C	D
32" (N-632) [812.8]	31" [787.4]	32" [812.8]
42" (NX-642) [1066.8]	41" [1041.4]	42" [1066.8]
52" (652) [1320.8]	51" [1295.4]	52" [1032.8]
60" (L-660) [1524]	59" [1498.6]	60" [1524]
66" (XL-600) [1676.4]	65" [1651]	66" [1676.4]
72" (XXL-600) [1828.8]	71" [1803.4]	72" [1828.4]

**STEP 4 :** Fillers (if supplied) fill the void between the coordinator and soffit.  
They mount the same as the coordinator.

**STEP 5 :** Test operation by opening both doors and allowing the active door to close first. The active door should be held open until the inactive door closes.  
If the coordinator overrides causing the active door to close prior to the inactive door **ADJUST DOOR CLOSER SPEEDS FIRST.**  
If the coordinator still overrides, adjust the tension on the override mechanism by using a #1 Phillips head screwdriver and turning the screw in the lever end clockwise. SEE FIGURE A

**NOTE:** If the lever and or trigger does not return to the extended position after both doors are opened, the mounting screws thru the lever and or trigger may be too tight.  
Back screws off 1/4 turn until the lever and or trigger return to the extended position.

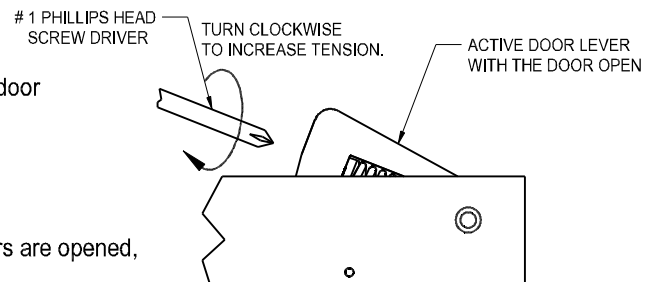


FIGURE A

Dimensions in [ ] denotes millimeters

Door Controls International, 2362 Bishop Circle East, Dexter MI 48130  
PH: 1-800-742-3634 FAX: 1-800-742-0410 www.doorcontrols.com

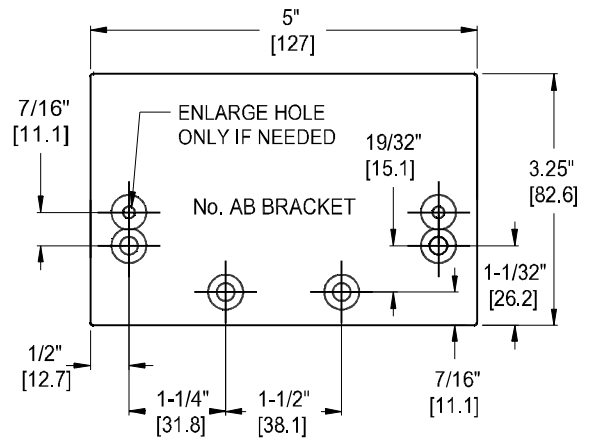
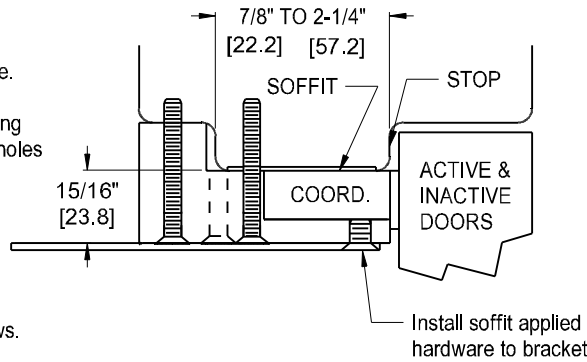
Printed in U.S.A. 12/15

**AB, C, AND D BRACKETS INSTALLATION INFO - SEE REVERSE SIDE**

# No. AB, C, and 600D Mounting Bracket Installation Instructions

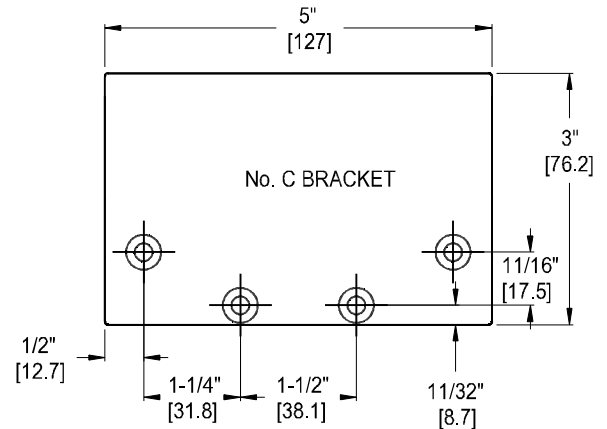
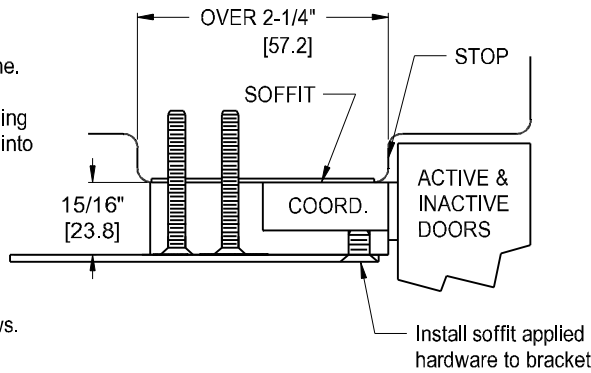
## No. AB Bracket - Soffitt Widths up to 2-1/4" [57.2]

1. Position No. AB Bracket and mark hole locations onto frame.
2. Drill 2 ea. #10 pilot holes into frame.
3. Install 4 ea. 12-24 FH thread forming screws through mounting bracket holes in frame.
4. Use 1/4-20 drill and tap bracket for soffit applied hardware.
5. Install soffit applied hardware with 4 ea. 1/4-20 x 1/2" [12.7] FH screws.



## No. C Bracket - Soffits Widths Over 2-1/4" [57.2]

1. Position No. C Bracket and mark hole locations onto frame.
2. Drill 2 ea. #10 pilot holes into frame.
3. Install 4 ea. 12-24 FH thread forming screws through mounting bracket into frame.
4. Use 1/4-20 drill and tap bracket for soffit applied hardware.
5. Install soffit applied hardware with 4 ea. 1/4-20 x 1/2" [12.7] FH screws.



## No. 600D Bracket For All Soffitt Widths

**IMPORTANT:** Do not drill in shaded areas highlighted in drawing.

1. Position 600D Bracket and mark hole location onto coordinator.
2. Drill 2 ea. #10 pilot holes through coordinator into soffit.
4. Enlarge exposed drilled holes in coordinator with a 15/64" [5.94] drill.
5. Install bracket with 2 ea. 12-24 x 2 [50.8] thread forming screws.
6. Drill and tap bracket for soffit applied hardware using a 1/4-20 tap.
7. Install soffit applied hardware with 4 ea. 1/4-20 x 1/2" [12.7] FH screws.

U.S. Patent No. 9109388

