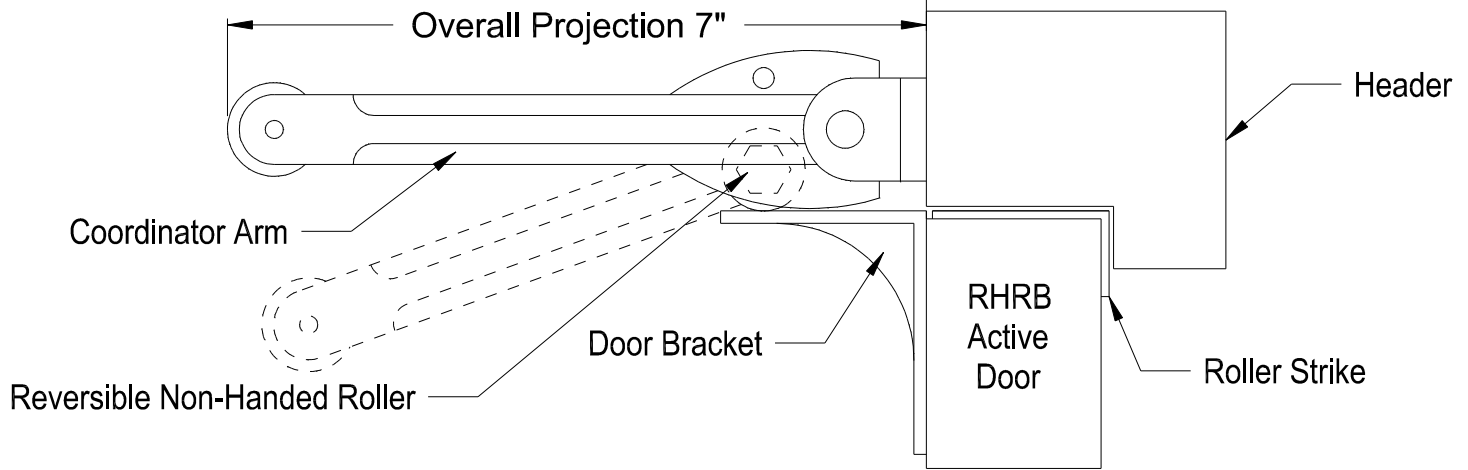


# NO. 500 SERIES COORDINATOR - RHRB ACTIVE

See Reverse for LHRB

THIS TEMPLATE APPLIES TO

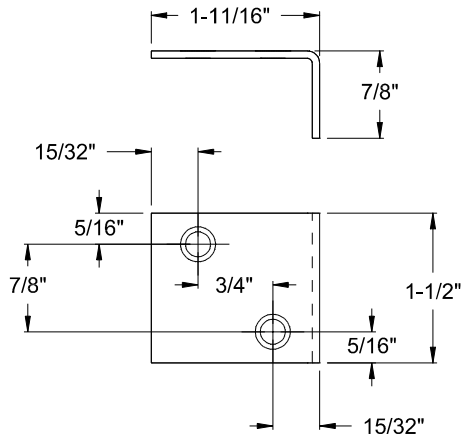
ITEM NO. 500



## MOUNTING INSTRUCTIONS

Refer to Drill Schedule

1. Locate centerline of doors on header.
2. Mount Coordinator.
3. Mount Roller Strike on Inactive Door.
4. Drill C holes and mount Door Bracket.
5. Adjust Door Bracket flush with Roller Strike. Drill D Hole to secure Strike in place.

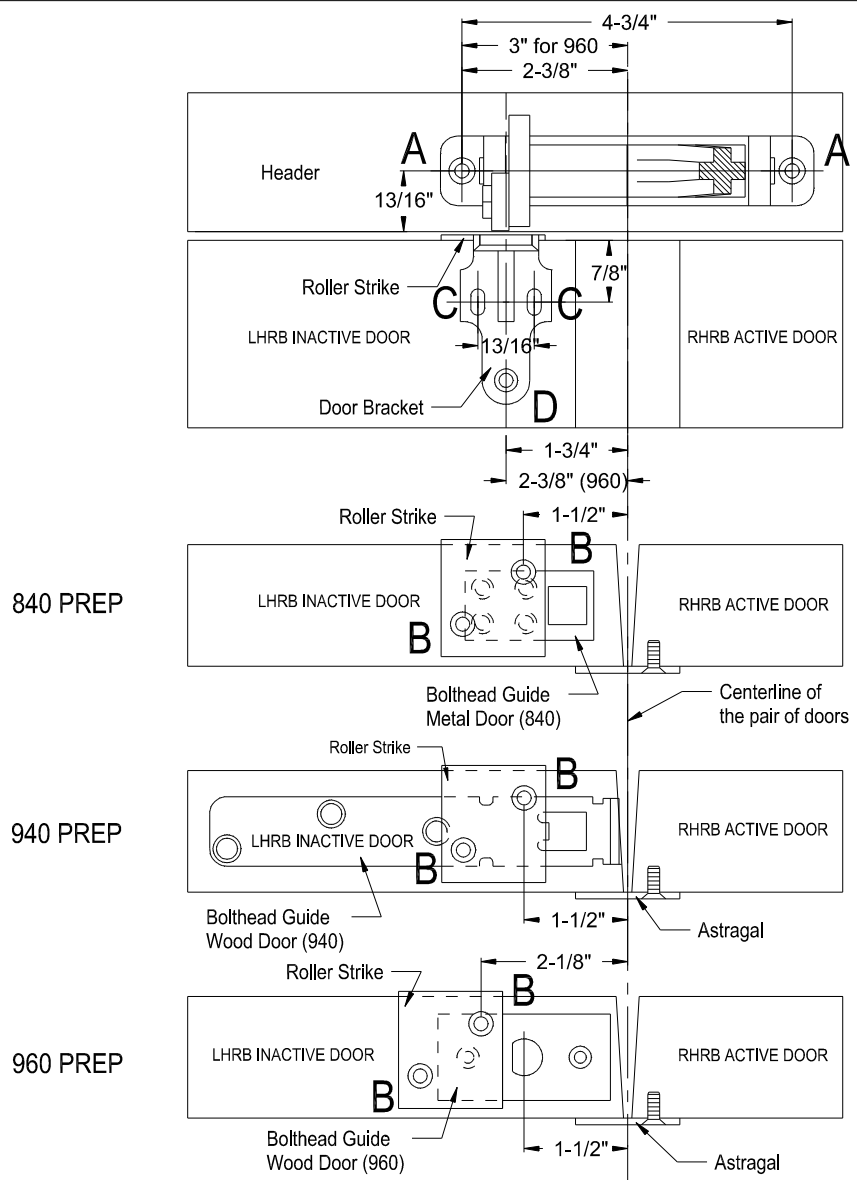


### DRILL SCHEDULE

Coordinator "A" holes:  
 2 ea #10 x 1" FHSMS  
 Drill #24 (.152) in steel  
 Drill #17 (.173) in wood

Roller Strike "B" holes:  
 2 ea. #10 x 1" FHSMS  
 Drill #24 (.152) in steel  
 Drill #17 (.173) in wood

Door Bracket "C & D" holes  
 3 ea #8 x 1" FHSMS  
 Drill #26 (.147) in steel  
 Drill #30 (.128) in wood



**DOOR CONTROLS INTERNATIONAL**  
 2362 BISHOP CIRCLE EAST  
 DEXTER, MI. 48130 USA  
 1-800-742-3634