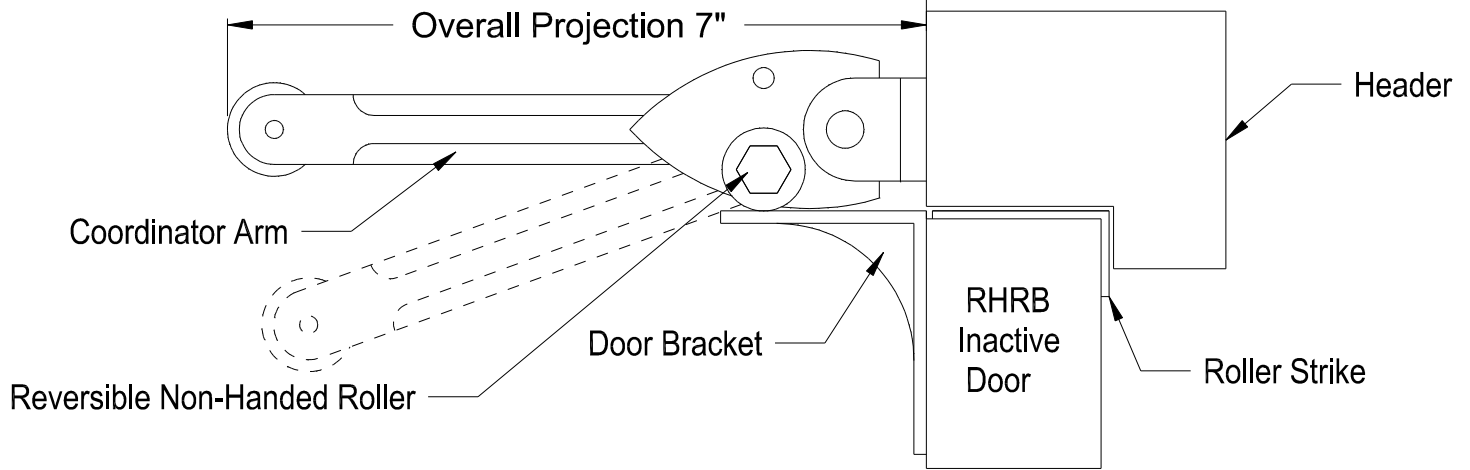


NO. 500 SERIES COORDINATOR - LHRB ACTIVE

See Reverse for RHRB

THIS TEMPLATE APPLIES TO

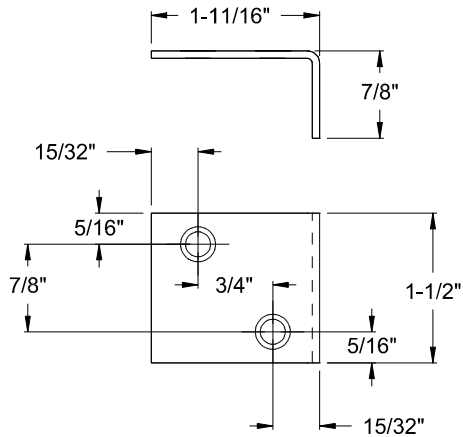
ITEM NO. 500



MOUNTING INSTRUCTIONS

Refer to Drill Schedule

1. Locate centerline of doors on header.
2. Mount Coordinator.
3. Mount Roller Strike on Inactive Door.
4. Drill C holes and mount Door Bracket.
5. Adjust Door Bracket flush with Roller Strike. Drill D Hole to secure Strike in place.

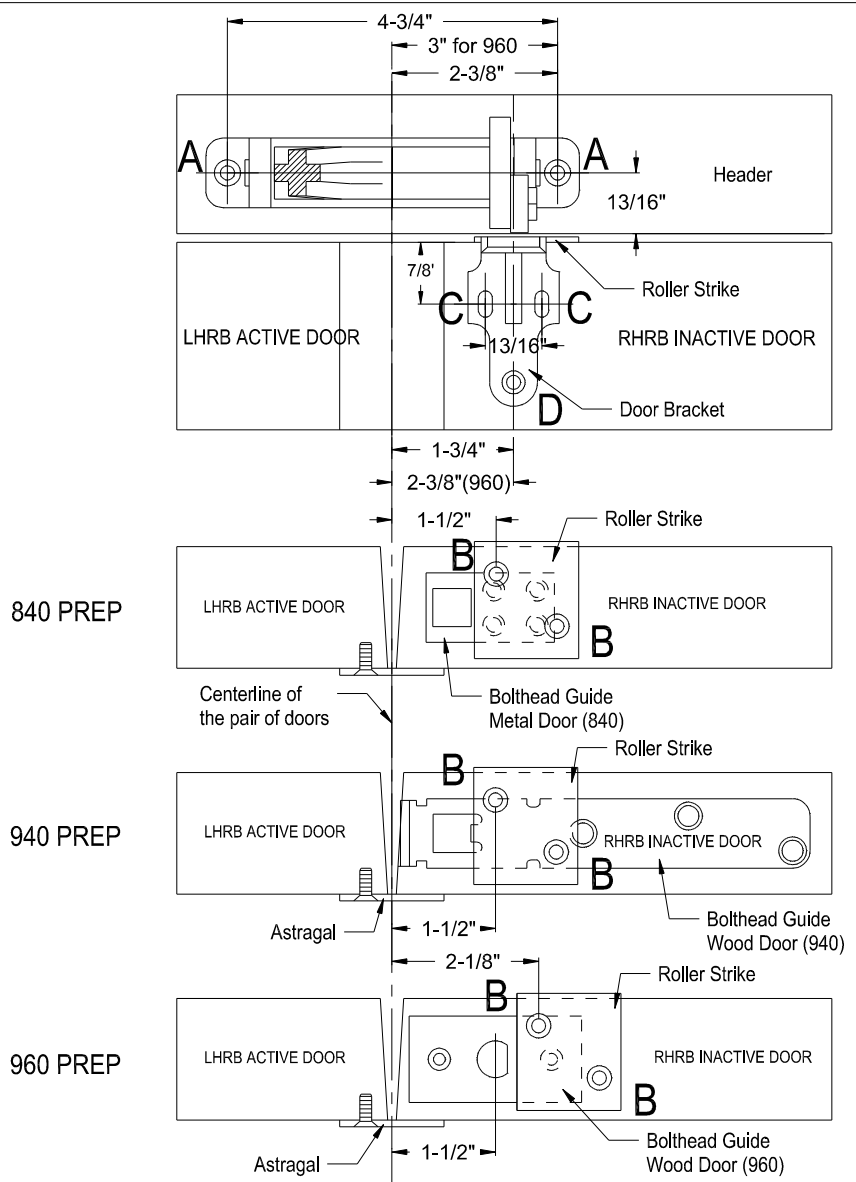


DRILL SCHEDULE

Coordinator "A" holes:
 2 ea #10 x 1" FHSMS
 Drill #24 (.152) in steel
 Drill #17 (.173) in wood

Roller Strike "B" holes:
 2 ea. #10 x 1" FHSMS
 Drill #24 (.152) in steel
 Drill #17 (.173) in wood

Door Bracket "C & D" holes
 3 ea #8 x 1" FHSMS
 Drill #26 (.147) in steel
 Drill #30 (.128) in wood



DOOR CONTROLS INTERNATIONAL
 2362 BISHOP CIRCLE EAST
 DEXTER, MI. 48130 USA
 1-800-742-3634