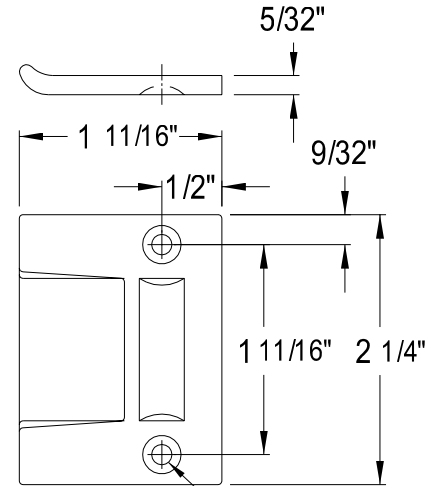
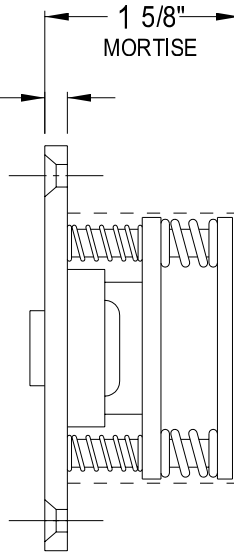
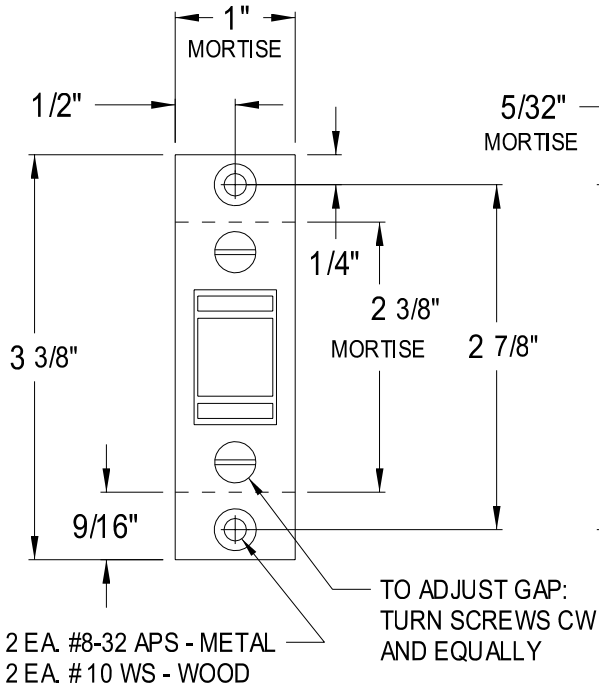


ADJUSTABLE ROLLER LATCH

ANSI / BHMA A156.16

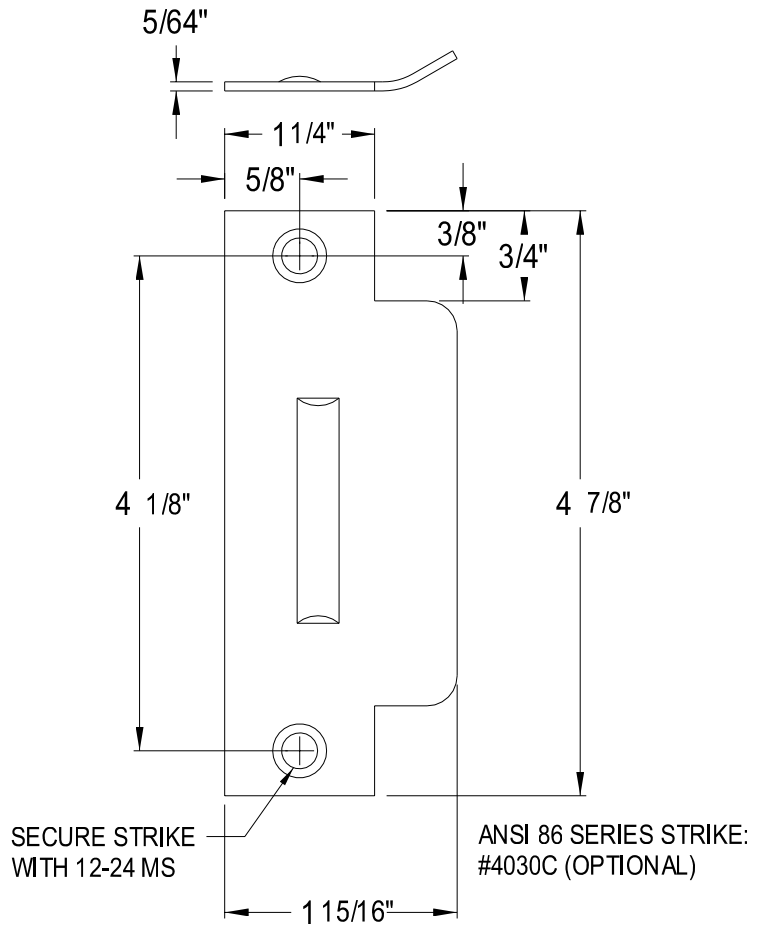
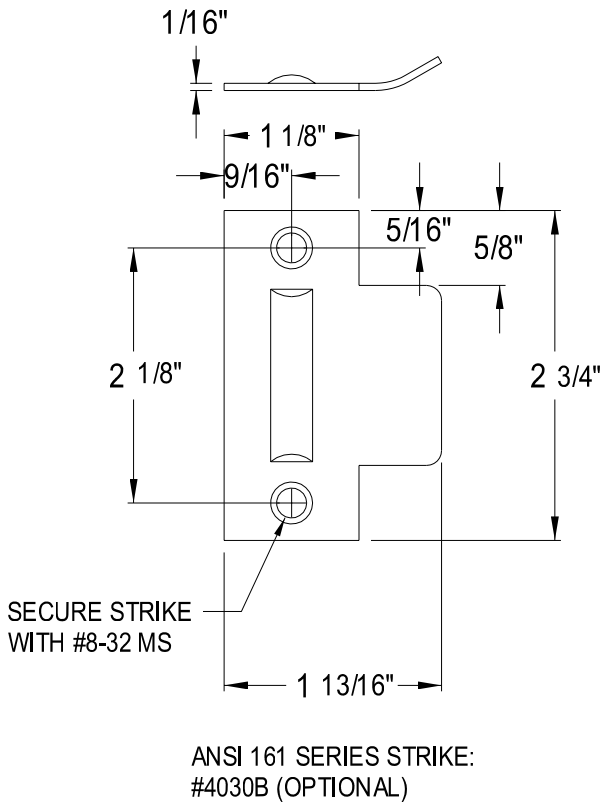
THIS TEMPLATE APPLIES TO

4030



2 EA. #8-32 APS - METAL
 2 EA. #10 WS - WOOD

STANDARD STRIKE: 4030A



REVISED 01/11/06



**DOOR CONTROLS
 INTERNATIONAL**
 2362 BISHOP CIRCLE EAST
 DEXTER, MI. 48130 U.S.A.