

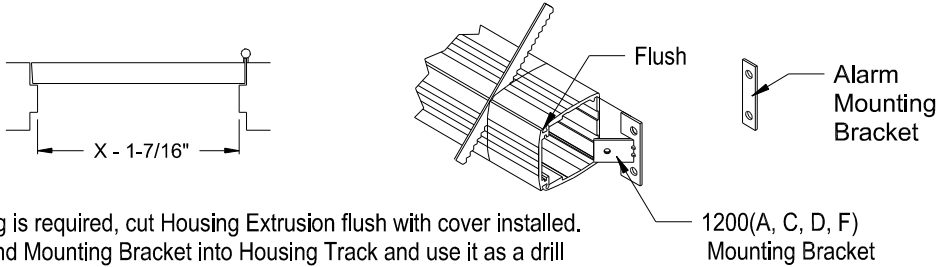


# 120 SERIES MOUNTING INSTRUCTIONS

## STEP 1: FIT DEVICE TO DOOR

To fit device to door widths other than 36" or 48", use the simple formula below:

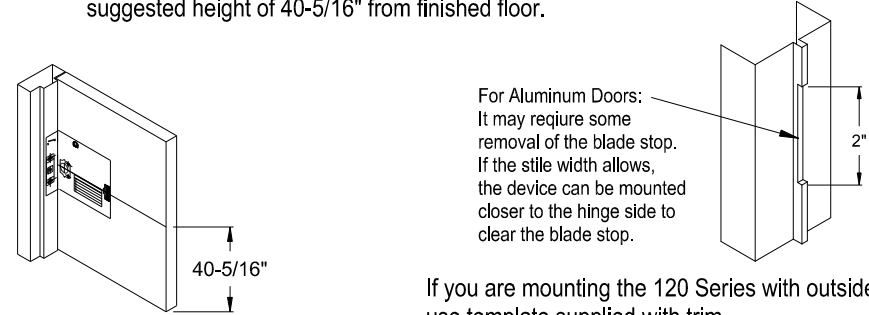
Distance between stops minus 1-7/16" = Housing Length



If cutting is required, cut Housing Extrusion flush with cover installed. Slide End Mounting Bracket into Housing Track and use it as a drill template for hole locations.

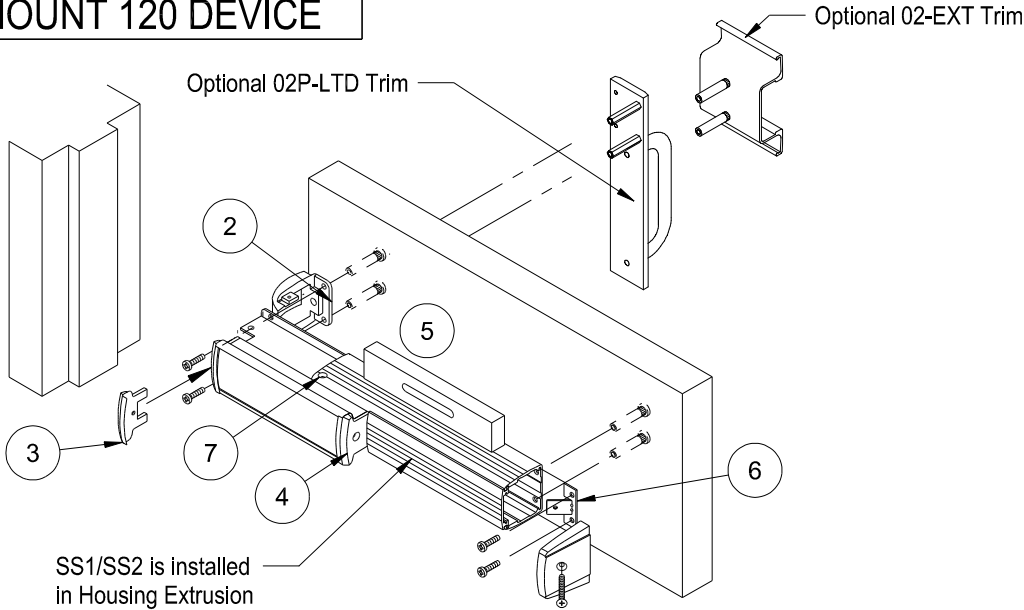
## STEP 2 : PREP DOOR

To Mount the 120 Series Device, use mounting holes "A" and "D" on the 1200/1300 Series Template. Tape mounting template to door at a suggested height of 40-5/16" from finished floor.



If you are mounting the 120 Series with outside trim, use template supplied with trim.

## STEP 3 : MOUNT 120 DEVICE

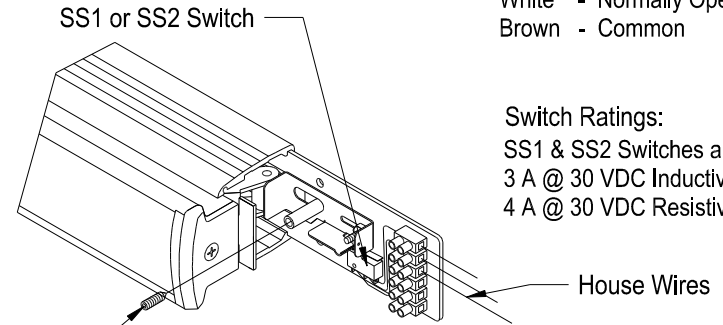


1. Remove Device from box and slide Push Bar/Chassis assembly beyond notched housing exposing chassis mounting holes.
2. Remove Nose piece from Pack "A" and position on chassis as shown. Use 2 ea. 12-24 MS and 2 ea. Sex Bolts and mount to door.
3. Install Notched Push Bar End Cap from Pack "A" on Dummy Nose Piece end of Push Bar.
4. Install Solid Push Bar End Cap on Push Bar from Pack "B".
5. Level the device on the door. Using End Mounting Bracket as a guide, mark and drill hole locations.
6. Install End Mounting Bracket with 2 ea. 12-24 MS and 2 ea. Sex Bolts.
7. Install Nose Piece Screws.
8. Slide Extrusion Cover into Housing and install Housing End cap with screw from pack "B".

## WIRING INFO

SS1 Switch:  
 Green - Normally Closed  
 Red - Normally Open  
 Black - Common

SS2 Switch:  
 Green - Normally Closed  
 Red - Normally Open  
 Black - Common  
 Blue - Normally Closed  
 White - Normally Open  
 Brown - Common



Switch Ratings:  
 SS1 & SS2 Switches are UL Rated  
 3 A @ 30 VDC Inductive  
 4 A @ 30 VDC Resistive

Signal switches are secured in housing extrusion with a set screw.  
 NOTE: Switch plate must be against push bar/chassis to ensure proper engagement of switch.



### Door Controls International

2362 Bishop Circle East, Dexter, Michigan 48130

Ph: 800-742-3634 Fax: 800-742-0410

www.doorcontrols.com