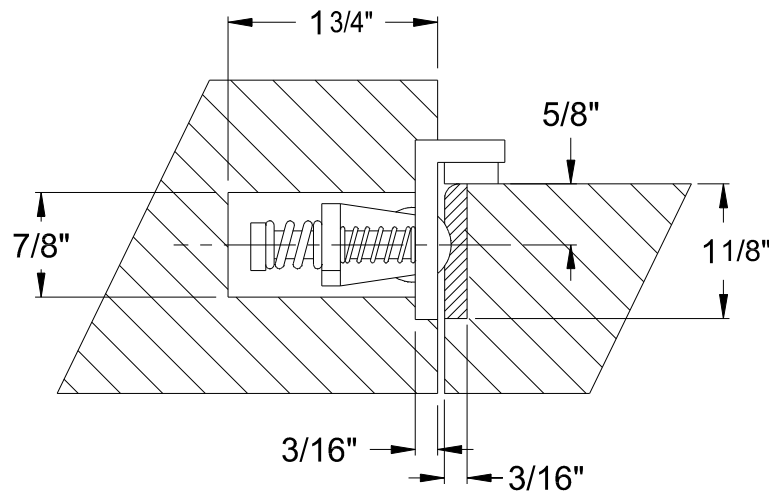
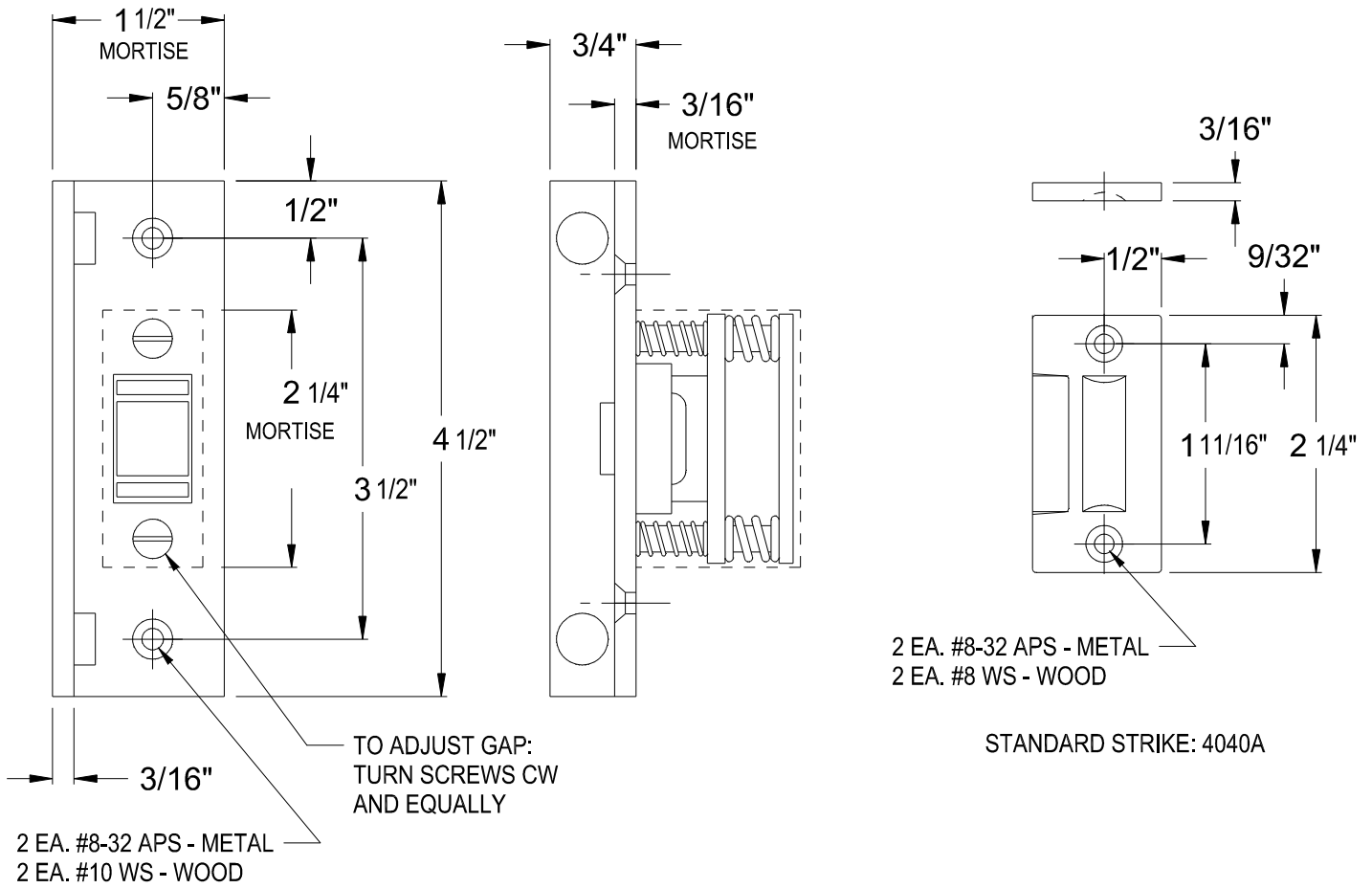


# ADJUSTABLE ROLLER LATCH

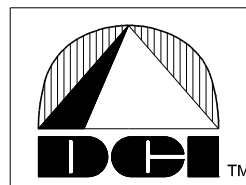
ANSI / BHMA A156.16

THIS TEMPLATE APPLIES TO

## 4040



MORTISE DETAIL



**DOOR CONTROLS  
INTERNATIONAL**  
2362 BISHOP CIRCLE EAST  
DEXTER, MI. 48130 U.S.A.

REVISED 07/30/08