

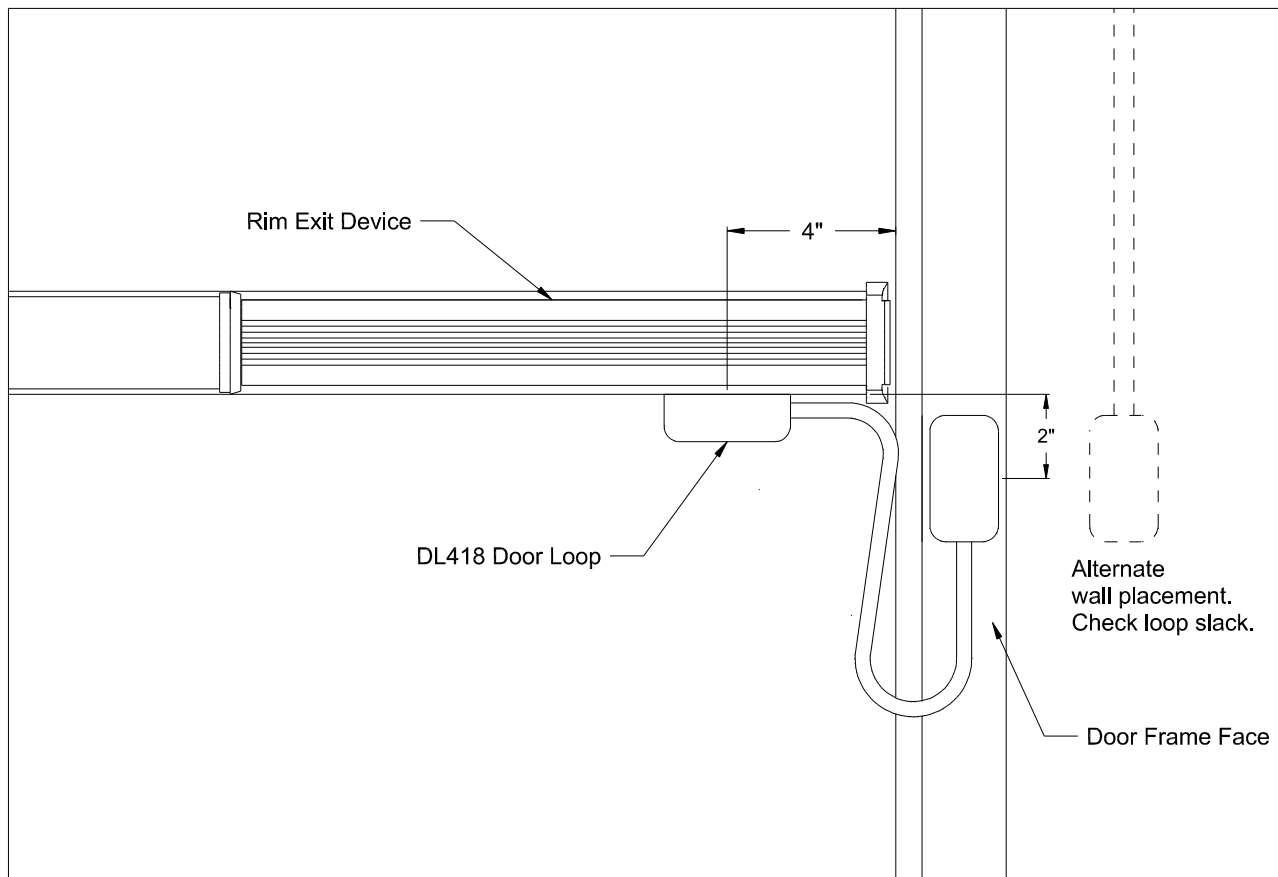
DL418 Mounting Instructions

THIS TEMPLATE APPLIES TO

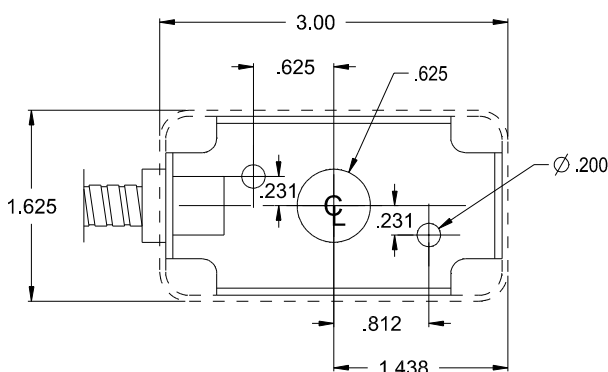
DL418

- 1 - Locate the centerline of the door loop on the underside of the exit device housing 4" from soffit of frame and 1" from face of door.
- 2 - Locate the centerline of the door loop on the face of frame 2" down from the edge of the exit device.
- 3 - Drill pilot holes (#24 drill) to mount the bases and a 5/8" hole for wire conduit.
- 4 - Mount bases using #10 SMS. (Note: On devices with alarms, use #10 x 1/4" long screws supplied by others)
- 5 - Thread electrical wires through door loop.
- 6 - Install covers with # 8 SMS screws.

NOTE: Maximum electrical wires: 7 ea. 18 awg
10 ea. 22 awg



Door Loop Base Dimensions



**DOOR CONTROLS
INTERNATIONAL**
2362 BISHOP CIRCLE EAST
DEXTER, MI. 48130 U.S.A.
1-800-742-3634